

d. Wheel Balance

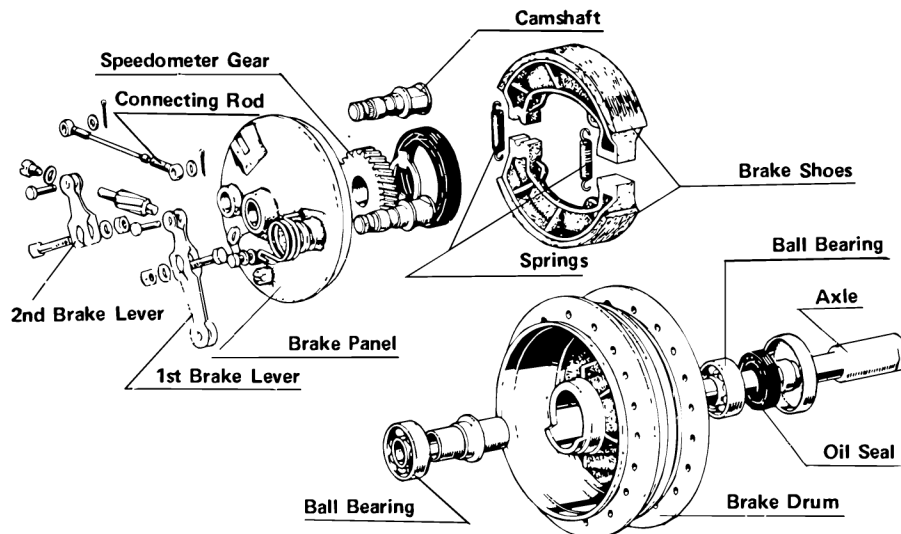
Wheels out of balance will vibrate and cause handlebar oscillation. The balance is checked with the wheel mounted, and in the case of the rear wheel, with the chain removed. Spin the wheel lightly and see if it will stop in any position of its own accord. If it will not, attach a balance weight to the lightest side and spin the wheel again. Repeat the process as necessary until the difference between the lightest and heaviest side is less than 1/3 ounce (10 grams). Then attach the weights firmly with pliers. Balance weights are available in 10, 20 and 30 gm. sizes (1/3, 2/3 and 1 ounce)



4) Assembly

Assembly is in the reverse order of disassembly.

H1 Front Hub Mechanism



NOTE:

1. When mounting the rear wheel, align the wheels and adjust the chain. Wheel alignment is accomplished by adjusting the right and left chain adjuster marks to coincide with the alignment marks on the swing arm. At this time also adjust chain length. (See page 94 .)
2. Be sure the torque link is firmly fastened to the brake panel.
3. On the H1 1969 – 71 models tightening torque for the front axle is 51 – 65 ft-lbs (7 – 9 kg-M), and on the H1 and H2 from 1972 model, tightening torque for the front axle clamp nuts is 11.5 – 16 ft-lbs (1.6 – 2.2 kg-M). Rear axle torque is 72 – 101 ft-lbs (10 – 14 kg-M).
4. Ensure that the brakes are adjusted properly as outlined in the next section.

4. HUBS · BRAKES · SPROCKET

All front hub and front brake information for the H2 and for H1 models with disc brakes is covered in the disc brake section beginning on page 69.

1) Construction

a. Front Hub

The front hub includes the brake drum and brake mechanism – the brake panel, brake shoes, etc. A bearing is pressed into either side of the brake drum, and on the inner surface of the drum is cast a steel sleeve, which serves as the braking surface for the brake shoes. The speedometer gear and pinion are mounted on the inside of the brake wheel, and these transmit the rotation of the front wheel to the speedometer via the speedometer cable.

Table 27 Front Wheel

Model	Bearing		Oil Seal	
	Drum	Panel	Drum	Panel
H1	6303	6303Z	25 47 8	BJN58 72 6
H1,* H2	6203	6203	BJN25406	BJN54656

*Disc brake models