

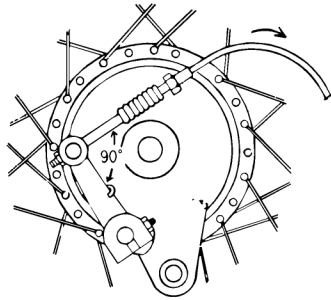
4) Assembly

Assembly is the reverse of disassembly.

NOTE:

1. When assembling the brake cam lever to the cam shaft, mount it so that when the brakes first start to take effect the brake cable will be at about right angles to the cam lever.

Brake Lever Adjustment

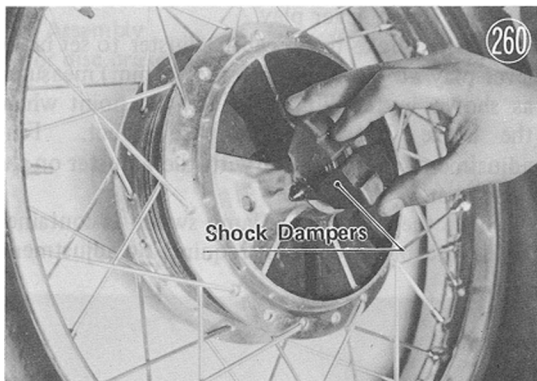


259

2. When pressing the bearings and oil seals into the brake drums, use a press or other means to ensure that the bearings/seals are at right angles to the drum hole, and therefore with the axle.

3. After cleaning the brake drum replenish the grease at the bearing, oil seal, front panel speedometer pinion gear, and any other surfaces where friction must be reduced. Do not allow grease on the brake linings or drum braking surface as this will prevent the brakes from holding and make driving dangerous. If any grease should get on these parts, clean it off thoroughly with gasoline or an oil-free solvent.

4. On the H Series shock dampers there is a projection in the center. Align this projection with the corresponding hole in the rear brake drum.



260

5) Adjustment

a Rear Brake

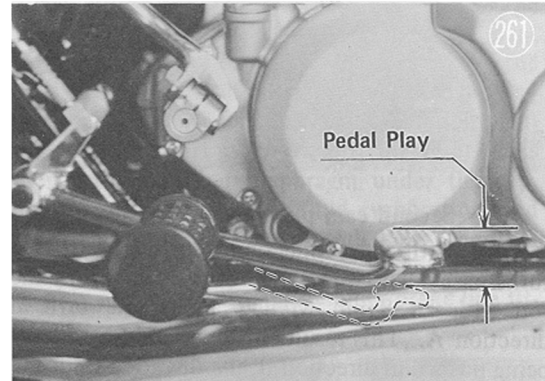
(1) H1

Adjust the rear brake with the adjuster nut on the brake panel so that the brake starts to take effect after $\frac{3}{4}$ to $1\frac{1}{4}$ inch (20-30 mm) of brake

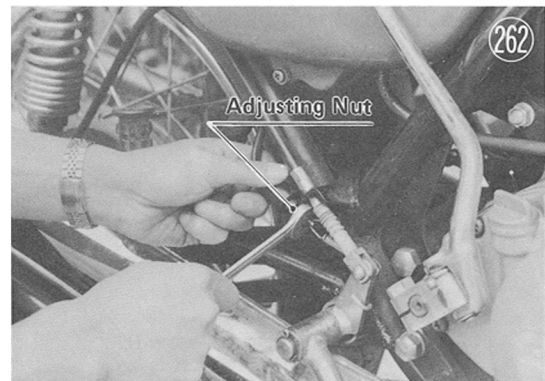
pedal travel. At this time also set the rear brake lamp to light after $\frac{5}{8}$ - $\frac{3}{4}$ inch (15-20 mm) – depending on the brake adjustment – of pedal movement, using the two mounting nuts on the switch body. Do not turn the switch body as the wires may break off.

(2) H2

The method for H2 rear brake and brake lamp adjustment is the same as for the H1, except that adjustment values differ. Set the brake pedal play to $\frac{1}{8}$ to $\frac{5}{8}$ inch (12-15 mm), and the brake light to come on after $\frac{3}{8}$ inch (10 mm) of travel.



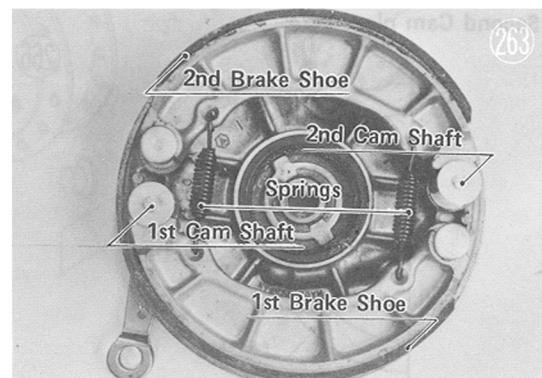
261



262

b. Front Brake

The two leading shoe type front brake must be adjusted so that both shoes contact the drum at the same time. When the brake cam, brake shoes or related parts are replaced, the brake should be completely readjusted according to the following procedure to avoid uneven shoe contact and realize good braking performance.



263