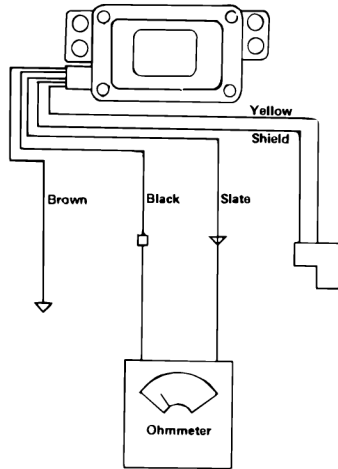
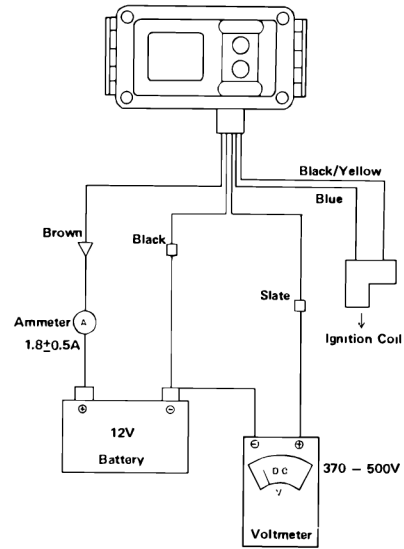


CDI Test

Unit A



Unit B



Connection	Reading
Black lead to meter +, gray lead to -	Infinity (No current flow)
Black to meter -, gray to +	Infinity (No current flow)

Meter	Reading
DC Ammeter	1.8 ± 0.5A no oscillation of the ammeter needle
DC Voltmeter	370 - 500 VDC

If a CDI Tester is available:

Connect Unit A to the tester as shown in the diagram and turn the Unit A dial from 1 to 4. Normal meter reading is within the green area for all positions. Position one is a line voltage check only, and does not indicate the condition of the A Unit.

The unit is defective if the readings are not within tolerance, or if the unit does not emit a high-pitched hum.

If a CDI Tester is available:

Connect Unit B to the tester as illustrated, and turn the Unit B dial from 1 to 4. Normal reading is within the green area. Position 1 checks line voltage only.

