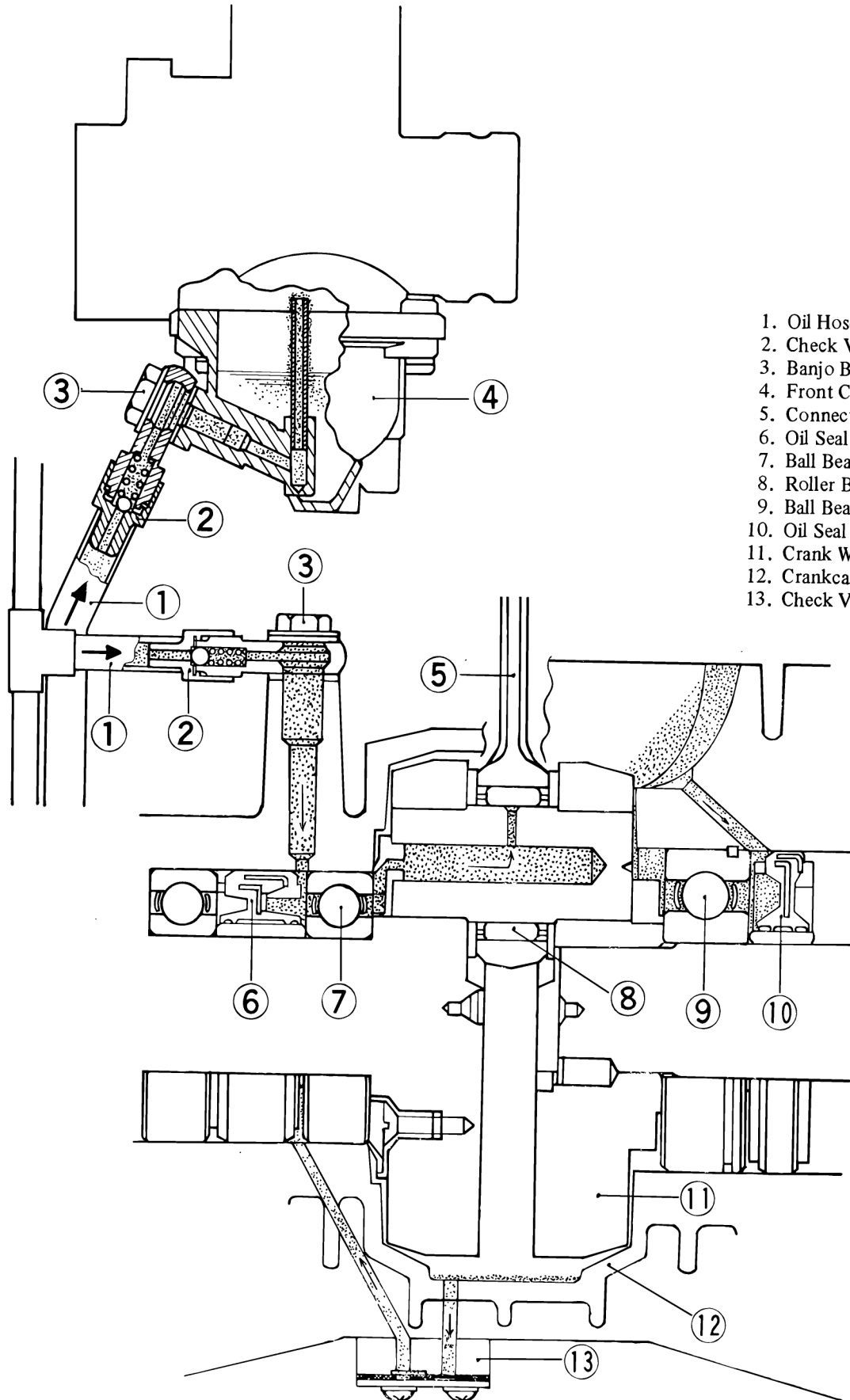


Oil Passage

450



- 1. Oil Hose
- 2. Check Valve
- 3. Banjo Bolt
- 4. Front Chamber
- 5. Connecting Rod
- 6. Oil Seal
- 7. Ball Bearing
- 8. Roller Bearing
- 9. Ball Bearing
- 10. Oil Seal
- 11. Crank Web
- 12. Crankcase
- 13. Check Valve