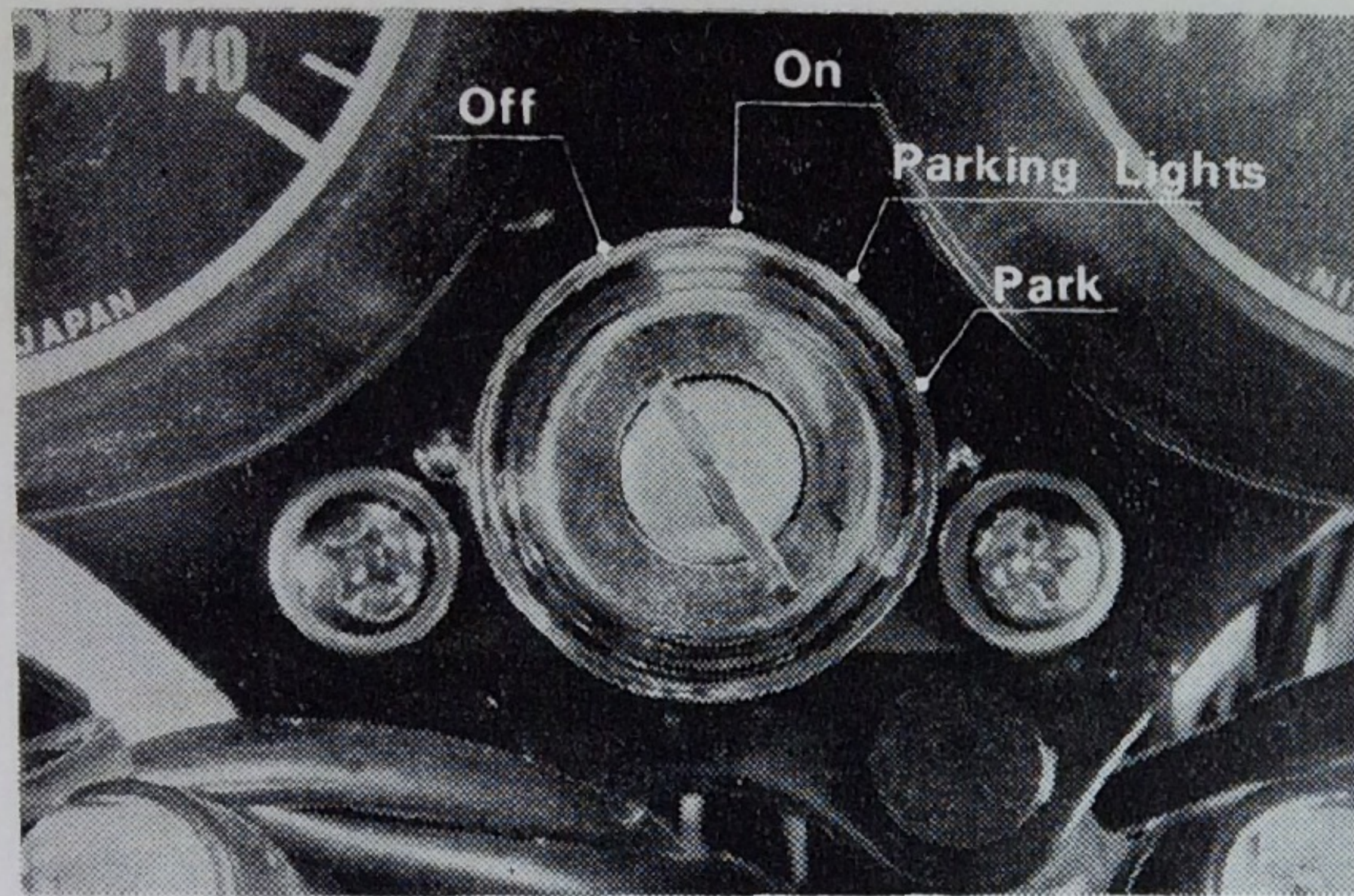


**Note:** Page 13 Paragraph 1 should be amended as follows:

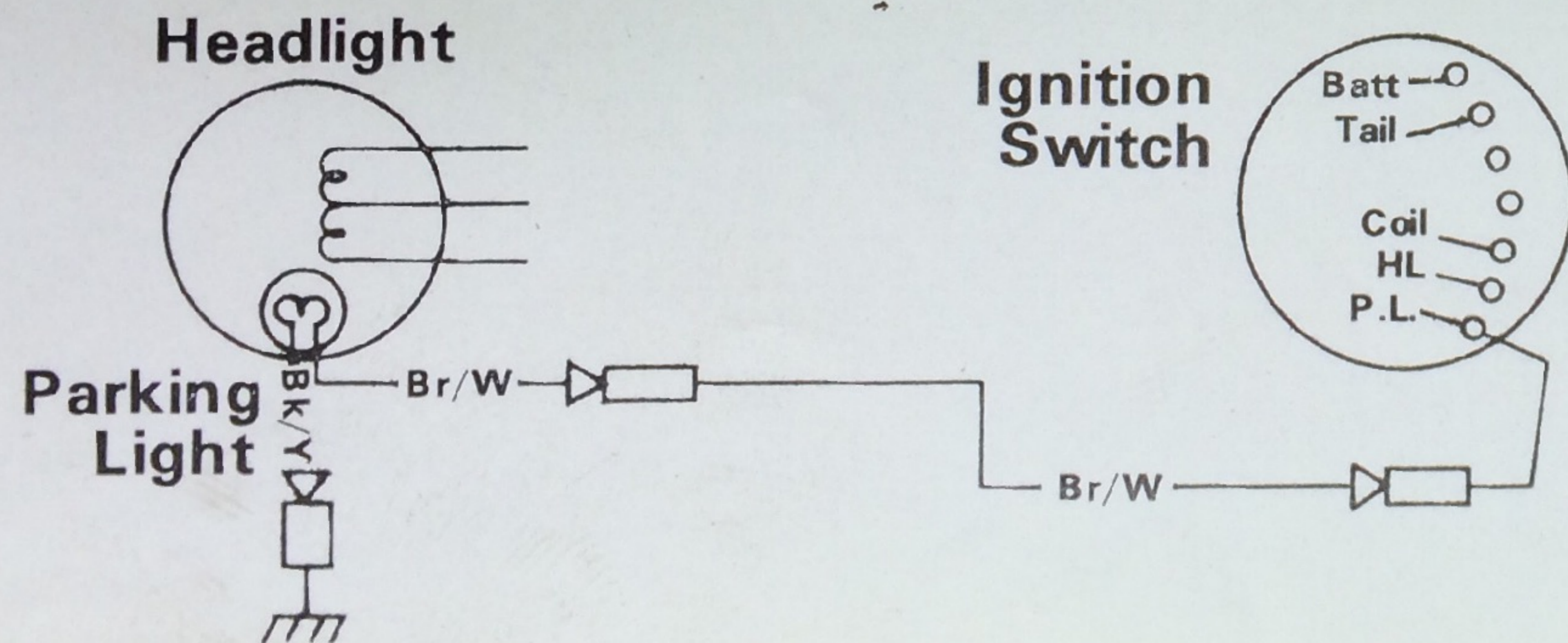


### 1) Ignition Switch

This is a four-position, key-operated switch.

Key position	
Off	Engine off. All electrical circuits off. Key can be removed.
On	Engine on. All electrical equipment (except parking lights) can be used. Key cannot be removed.
Parking Lights	Engine on. Tail light and front parking light on. All electrical equipment can be used. Key cannot be removed.
Park	Engine off. Tail light on. All other electrical circuits cut off. Key can be removed.

The following wiring is additional:



In the "Parking Lights" position, Batt, Tail, Coil and P.L. are connected inside the ignition switch.